

Banking Daily Quiz Blog - May 5



Direction: Study the given information to answer the question.

- 1. The tourism sector of Country G has emerged out to be the highest contributor to GDP of the economy of Country G for this financial year. The numbers of foreign as well as domestic visitors to various tourist spots of the country were found to be relatively high as compared to last financial year.**

Which of the following may be a reason for increased tourism in Country G ?

I. The tourism packages offered by various travel agencies for visiting places in Country G were much cheaper and attractive.

II. The government of Country G had started special buses, trains and flights at highly subsidized rates for passengers during holidays.

A Only I

B Only II

C Either I or II

D Neither I nor II

E Both I and II

Solution

Statement I states the tourism package offered by various travel agencies of country G.

Statement II states that the country G have started special buses, trains and flights at reasonable rates for passengers.

Both statments are reasons.

Direction: This question consists of two statements numbered I and II. These statements may be either independent causes or effects of independent causes or a common cause. One of these statements may be the effect of the other statement. Read both the statements and decide which of the given answer choices depicts the relationship between these two statements.

2. **Statements: I. Unlike last two years, the amount of toxic gases such as carbon monoxide and sulphur dioxide along with volatile organic compounds present in atmosphere crossed the permissible limit in Country X this year.**

II. The emissions from stationary sources such as industries and that from mobile sources such as transport have increased substantially this year in Country X.

A Both statements I and II are effects of independent causes.

B Both statements I and II are effects of some common cause.

C Statement I is the cause and statement II is its effect.

D Statement II is the cause and statement I is its effect.

E Both statements I and II are independent causes.

Solution

Statement I states that the amount of toxic gases in atmosphere of country X have crossed the permissible limit.

Statement B states that the emission of toxic gases from industries and mobile sources have increased substantially this year.

Hence statement II is the cause and statement I is its effect.

Direction: These questions consist of a question and two statements numbered I and II given below it. You have to decide whether the data provided in the statements are sufficient to answer the question. Read both the statements and mark the appropriate answer.

3. **How is ‘dwarf’ definitely coded in the same code language?**

I. In a certain code language, ‘the dwarf planet’ is coded as ‘cq sd ap’ and ‘the solar energy’ is coded as ‘kb og sd’.

II. In a certain code language, ‘only dwarf planet’ is coded as ‘cq ap st’, ‘the coldest planet’ is coded as ‘sd cq yt’.

A

The data even in both statements I and II together are not sufficient to answer the question.

B

The data in statement I alone are sufficient to answer the question while the data in statement II alone are not sufficient to answer the question.

C

The data in both statement I and II together are necessary to answer the question.

D

The data either in statement I alone or in statement II alone are sufficient to answer the question.

E

The data in statement II alone are sufficient to answer the question while the data in statement I are not sufficient to answer the question.

Solution

From statement I,

the dwarf planet \rightarrow eq sd ap

the solar energy \rightarrow kb og sd

From statement II,

Only dwarf planet \rightarrow cq ap st

Hence, both statements are together necessary to answer the question.

Direction: These questions consist of a question and two statements numbered I and II given below it. You have to decide whether the data provided in the statements are sufficient to answer the question. Read both the statements and mark the appropriate answer.

4. **Six people A, B, C, D, E and F are sitting around a circular table facing the centre. What is E's position with respect to F ?**

I. A sits second to the right of D. Only two people sit between A and F. B sits to the immediate right of E.

II. Only two people sit between D and E. E is an immediate neighbor of both B and A. C is not an immediate neighbor of B.

A

The data even in both statements I and II together are not sufficient to answer the question.

B

The data in statement I alone are sufficient to answer the question while the data in statement II alone are not sufficient to answer the question.

C

The data either in statement I alone or in statement II alone are sufficient to answer the question.

D

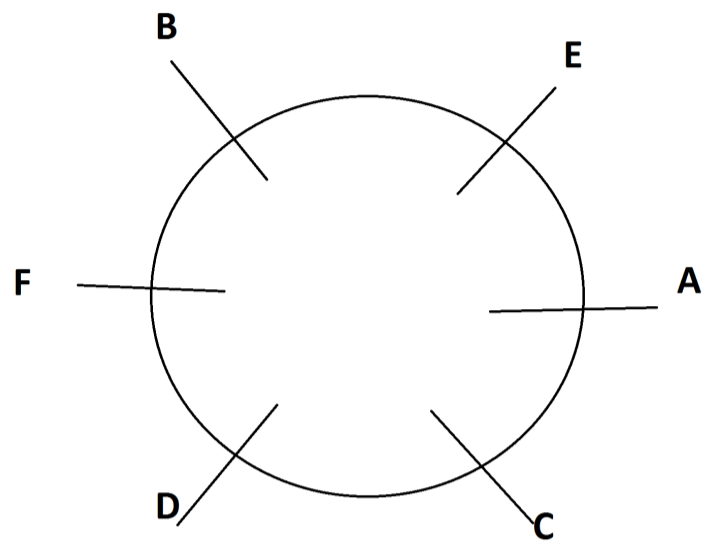
The data in both statement I and II together are necessary to answer the question.

E

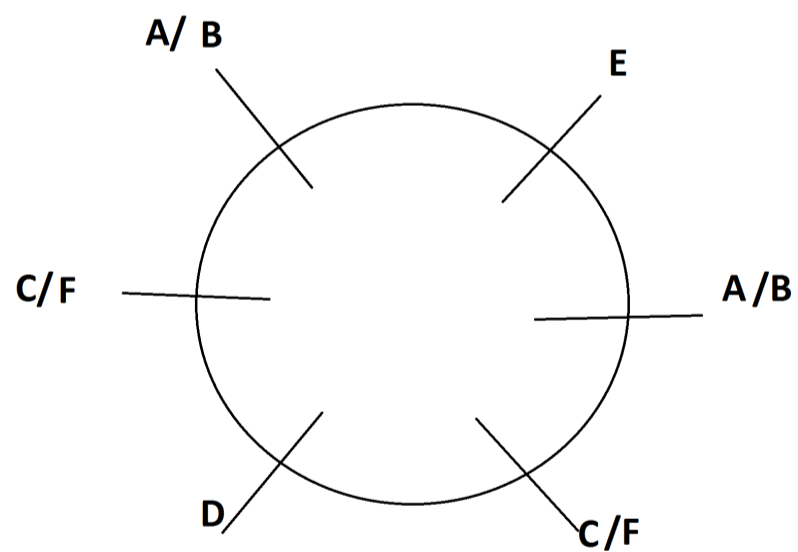
The data in statement II alone are sufficient to answer the question while the data in statement I are not sufficient to answer the question.

Solution

From Statement I,



Hence, E is sitting second to the left of F. From Statement II,



Hence, the data in statement I alone is sufficient to answer the question.

5. Direction: Study the given information carefully and answer the given questions.

Twelve people are sitting in two parallel rows containing six people each, in such a way that there is an equal distance between adjacent persons. In row-1 S, T, U, V, W and X are seated and all of them are facing south. In row-2 M, N, O, P, Q and R are seated and all of them are facing north. Therefore in the given seating arrangement, each member seated in a row faces another member of the other row. No two people with names starting with consecutive neighbor of each other. For e.g. A is not an immediate neighbor of B. B is not an immediate neighbor of either A or C and so on. Each of them also likes a different movies viz. Vertigo, Cinderella, Twilight, Gladiator, Uninhabited, Inception, Frozen, Watchmen, Tangled, Aladdin, Hero and Wanted. None of the information given is necessary in the same order. T sits at an extreme end of the line. Only two people sit between T and the one who likes Frozen. N sits second to the left of the one who faces the one who likes Frozen. The one who likes Twilight sits second to the right of O. T does not face the one who like Twilight. Only two persons sit between P and R. U does not sit an extreme end of the line. X is not an immediate neighbor of T. V faces the one who likes Tangled. Only three people sit between the ones who like Tangled and Vertigo. R likes Inception. Only one people sits between R and M. One of the immediate neighbours of M faces the one who likes Hero. The one who likes Cinderella sits to the immediate left of S. P sits second to the right of the one who likes Aladdin. Only one person sits between the one who likes watchmen and wanted. T does not like wanted. N does not like Gladiator.

- A. W is related to Cinderella and P is related to Inception in a certain way based on the given arrangement. To which of the following is U related, following the same pattern?**

A S

B T



The one who faces P



The one who faces O



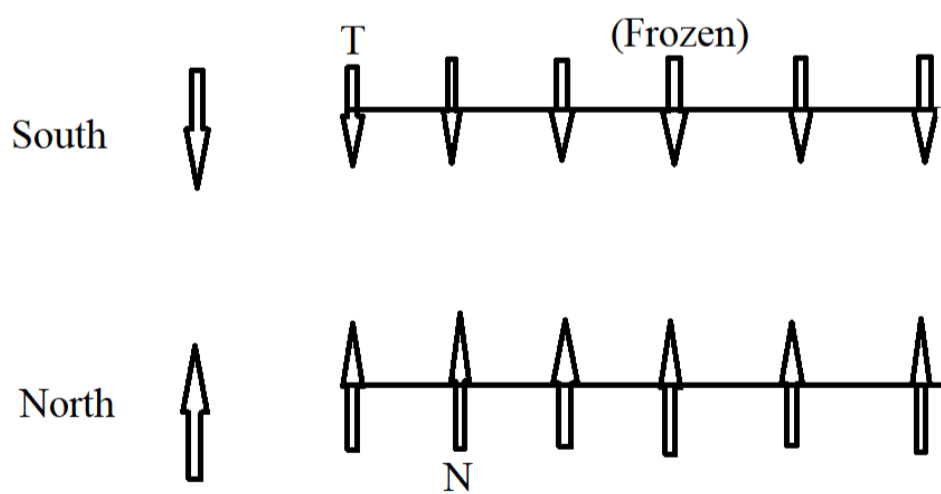
The one who likes Uninhabited

Solution

Person - S, T, U, V, W, X, M, N, O, P, Q and R.

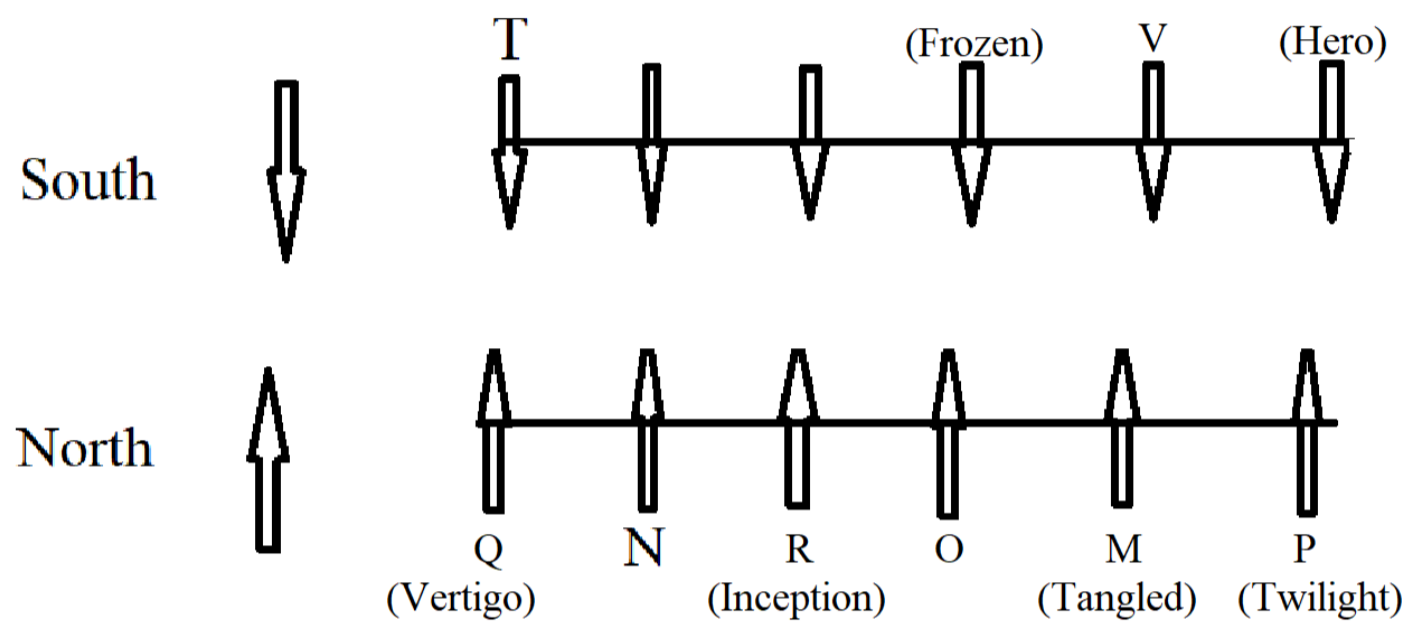
Movie - Vertigo, Cinderella, Twilight, Gladiator, Uninhabited, Inception, Frozen, Watchmen, Tangled, Aladdin, Hero and Wanted.

I. T sits at an extreme end of the line. Only two people sit between T and the one who likes Frozen. N sits second to the left of the one who faces the one who likes Frozen.



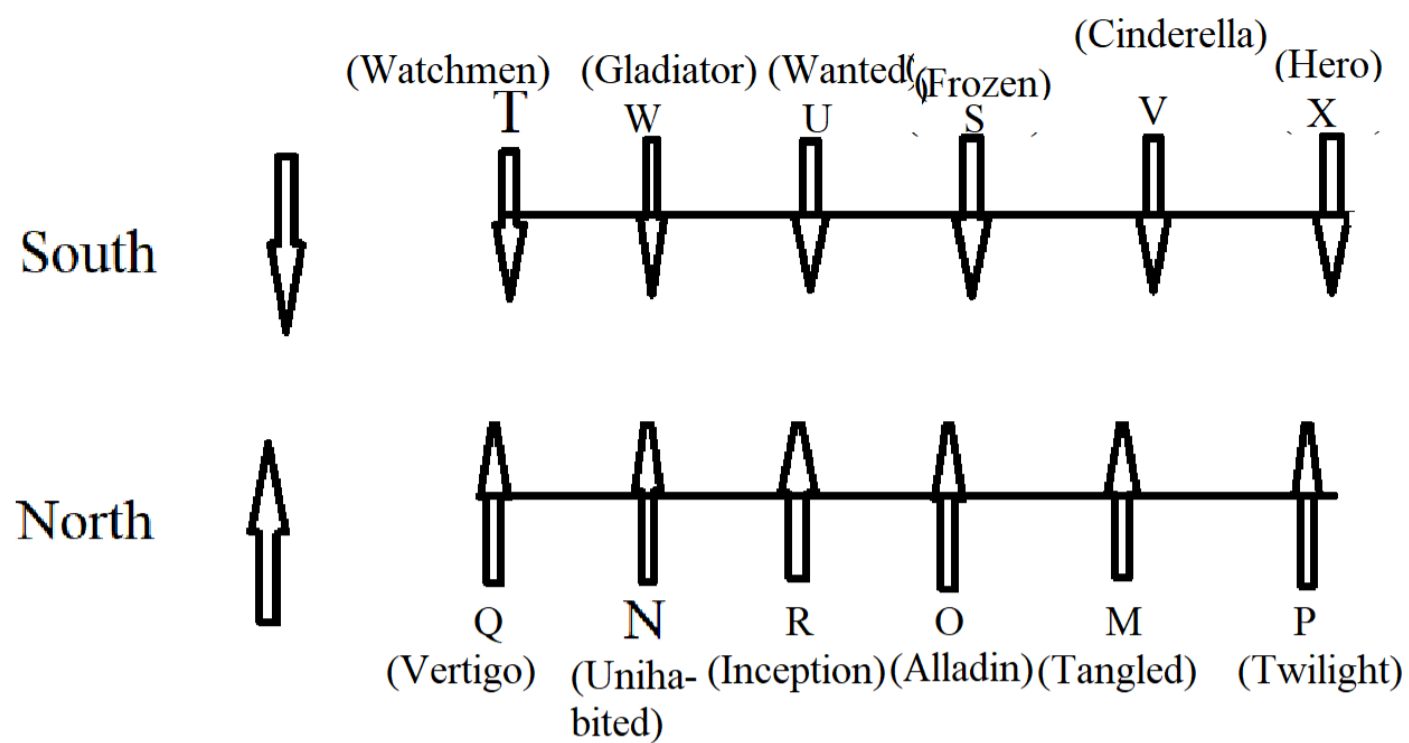
II. Only two persons sit between P and R. Only one people sits between R and M.

- III. One of the immediate neighbours of M faces the one who likes Hero. The one who likes Twilight sits second to the right of O.
- IV. T does not face the one who like Twilight. V faces the one who likes Tangled.
- V. Only three people sit between the ones who like Tangled and Vertigo.
- VI. R likes Inception.



- VII. U does not sit an extreme end of the line. X is not an immediate neighbor of T.
- VIII. The one who likes Cinderella sits to the immediate left of S. P sits second to the right of the one who likes Aladdin.
- IX. Only one person sits between the one who likes watchmen and wanted.
- X. T does not like wanted.

XI. N does not like Gladiator. So, final arrangement :



Hence, U is related to the one who faces P.

B. Four of the following five are alike in a certain way based on the given arrangement and hence from a group. Which of them does not belong to that group?

A N

B The one who likes Tangled

C The one who likes Gladiator

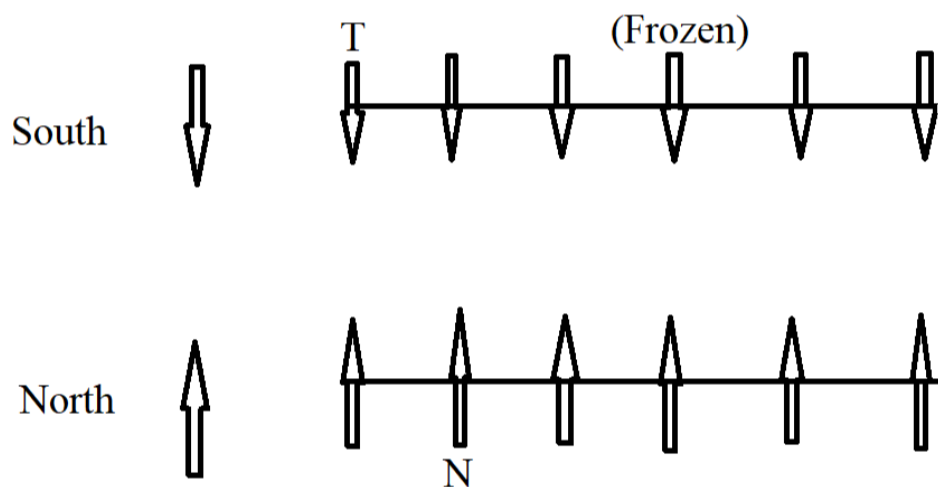
D The one who likes Vertigo

Solution

Person - S, T, U, V, W, X, M, N, O, P, Q and R.

Movie - Vertigo, Cinderella, Twilight, Gladiator, Uninhabited, Inception, Frozen, Watchmen, Tangled, Aladdin, Hero and Wanted.

I. T sits at an extreme end of the line. Only two people sit between T and the one who likes Frozen. N sits second to the left of the one who faces the one who likes Frozen.



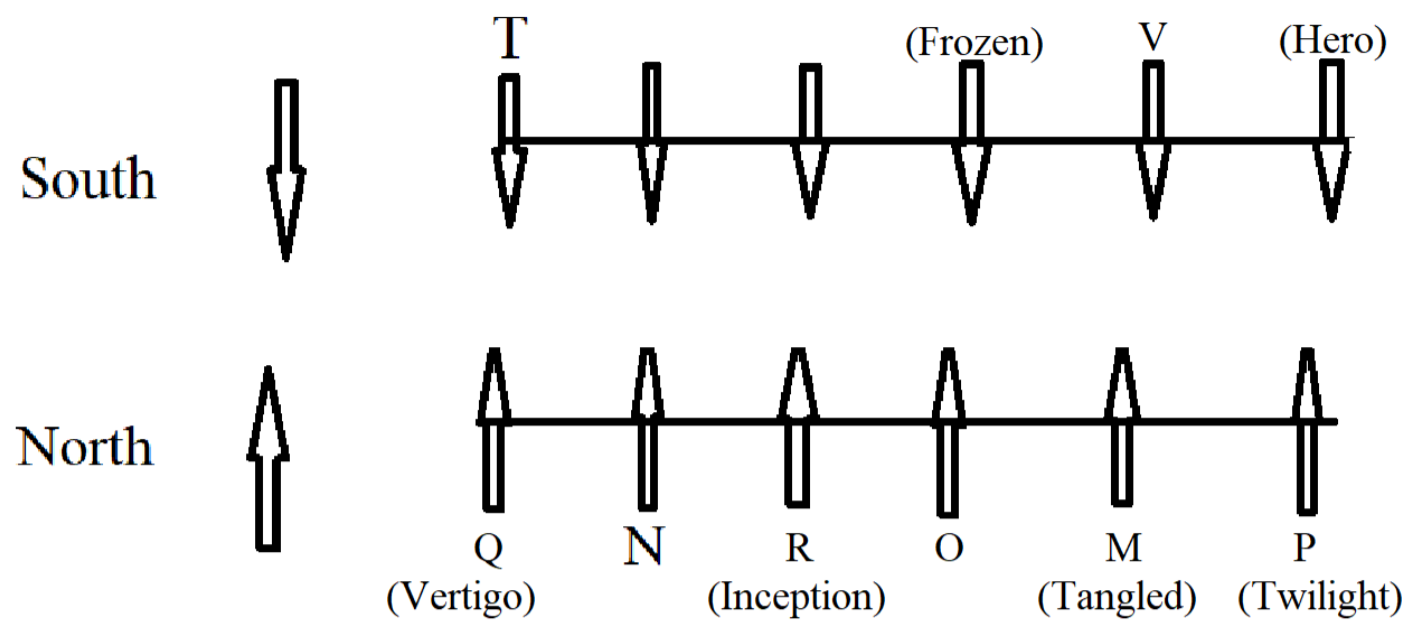
II. Only two persons sit between P and R. Only one person sits between R and M.

III. One of the immediate neighbours of M faces the one who likes Hero. The one who likes Twilight sits second to the right of O.

IV. T does not face the one who likes Twilight. V faces the one who likes Tangled.

V. Only three people sit between the ones who like Tangled and Vertigo.

VI. R likes Inception.



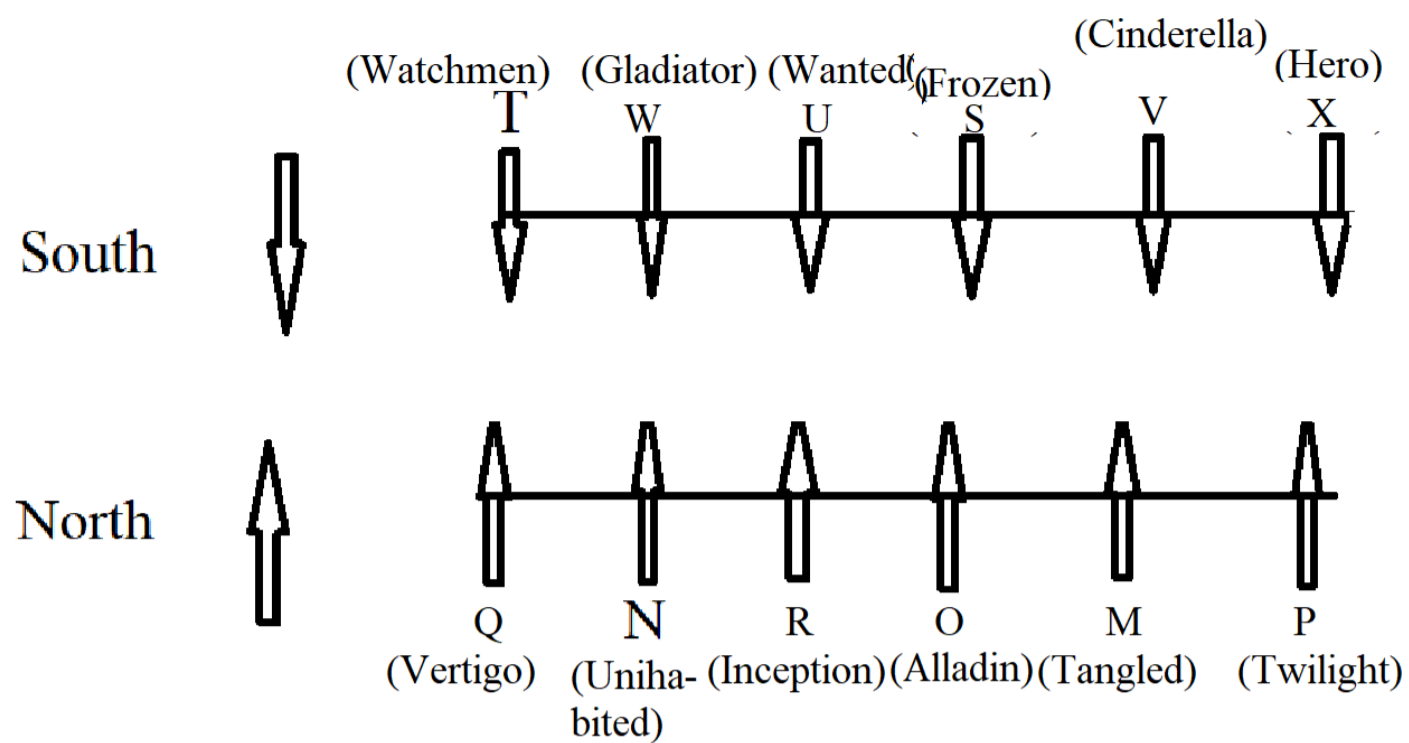
VII. U does not sit an extreme end of the line. X is not an immediate neighbor of T.

VIII. The one who likes Cinderella sits to the immediate left of S. P sits second to the right of the one who likes Aladdin.

IX. Only one person sits between the one who likes watchmen and wanted.

X. T does not like wanted.

XI. N does not like Gladiator. So, final arrangement :



Hence, except the one who likes vertigo is the odd one out.

C. Which of the following statements is true as per the given arrangement ?

A U likes Watchmen.

B Q faces one of the immediate neighbours of W.

C None of the given statements is true.

D P is an immediate neighbor of N.

E

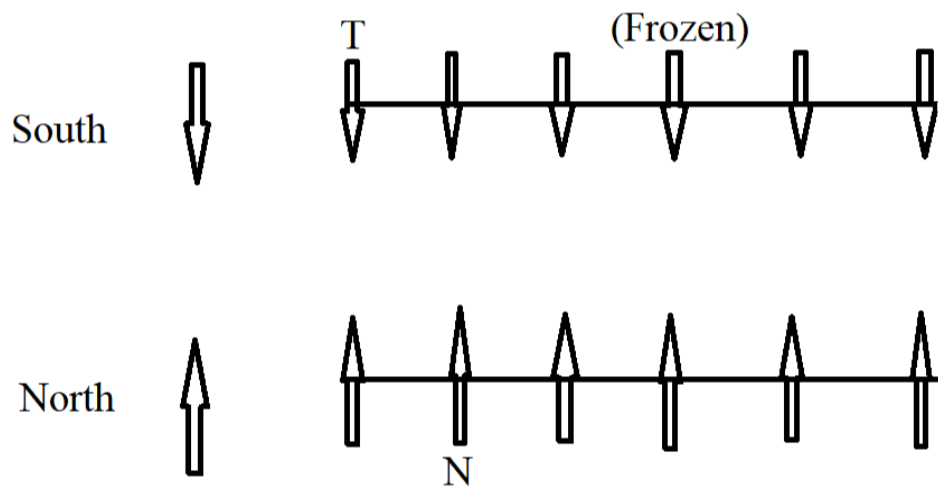
S sits between V and X.

Solution

Person - S, T, U, V, W, X, M, N, O, P, Q and R.

Movie - Vertigo, Cinderella, Twilight, Gladiator, Uninhabited, Inception, Frozen, Watchmen, Tangled, Aladdin, Hero and Wanted.

I. T sits at an extreme end of the line. Only two people sit between T and the one who likes Frozen. N sits second to the left of the one who faces the one who likes Frozen.



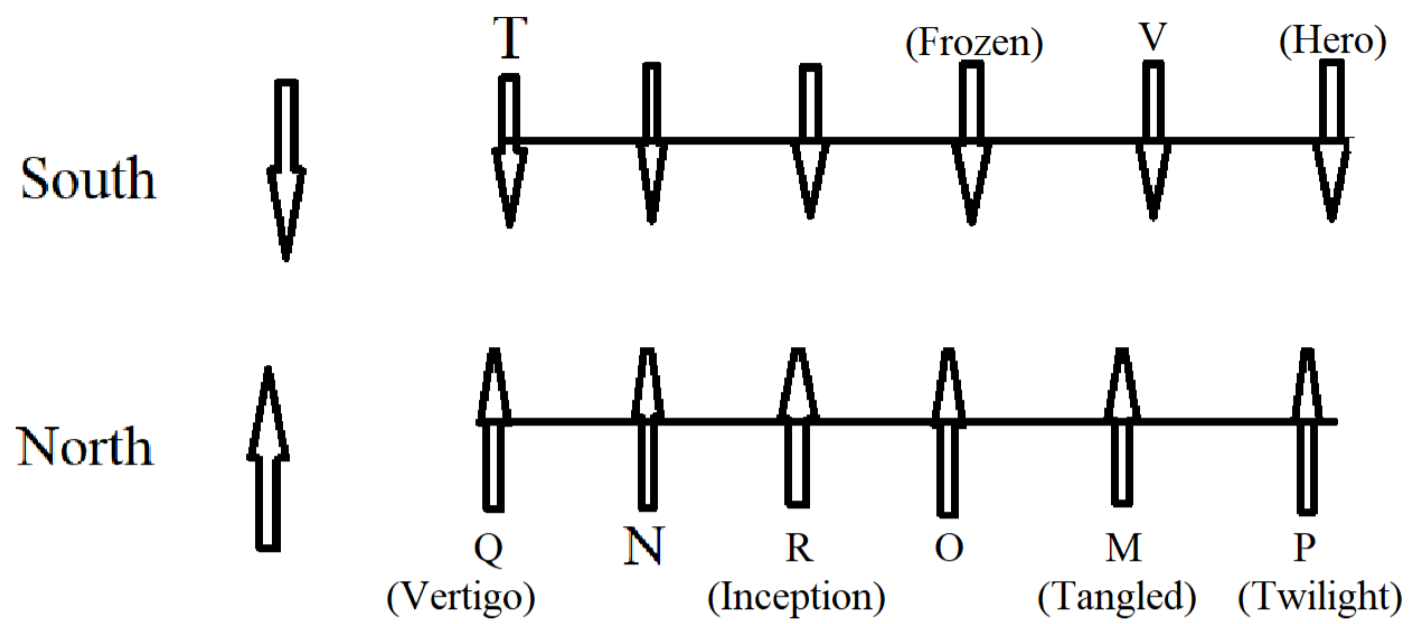
II. Only two persons sit between P and R. Only one person sits between R and M.

III. One of the immediate neighbours of M faces the one who likes Hero. The one who likes Twilight sits second to the right of O.

IV. T does not face the one who likes Twilight. V faces the one who likes Tangled.

V. Only three people sit between the ones who like Tangled and Vertigo.

VI. R likes Inception.



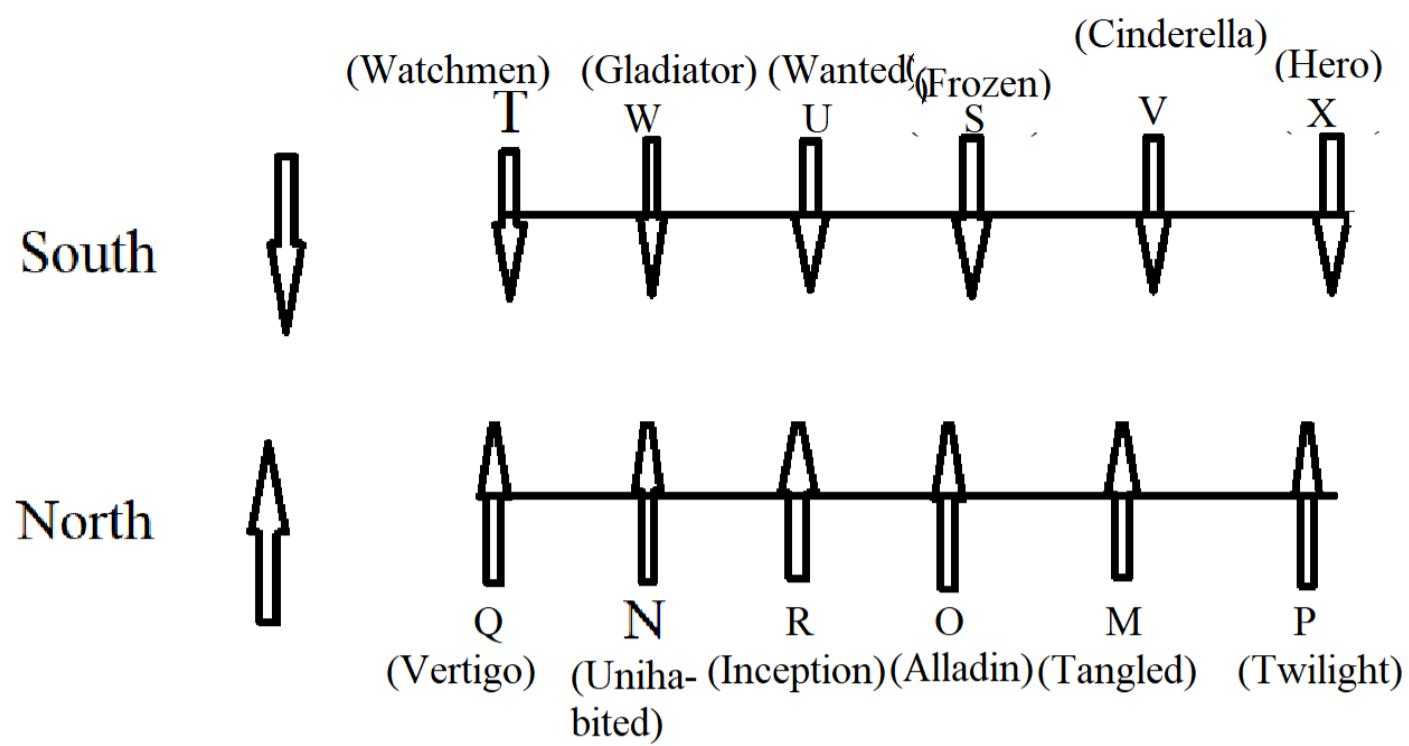
VII. U does not sit an extreme end of the line. X is not an immediate neighbor of T.

VIII. The one who likes Cinderella sits to the immediate left of S. P sits second to the right of the one who likes Aladdin.

IX. Only one person sits between the one who likes watchmen and wanted.

X. T does not like wanted.

XI. N does not like Gladiator. So, final arrangement :



Hence, Q faces one of the immediate neighbours of W is the true statement.

D. Who amongst the following likes uninhabited ?

A W

B S

C P

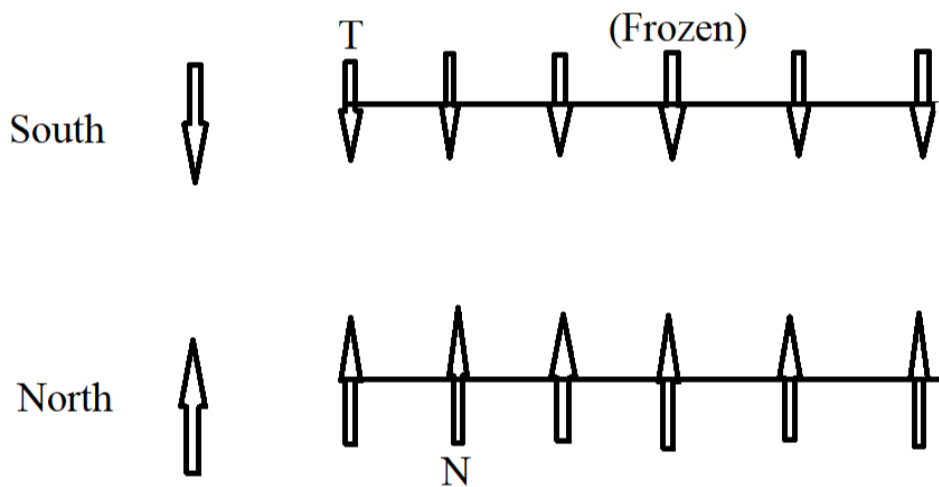
D N

Solution

Person - S, T, U, V, W, X, M, N, O, P, Q and R.

Movie - Vertigo, Cinderella, Twilight, Gladiator, Uninhabited, Inception, Frozen, Watchmen, Tangled, Aladdin, Hero and Wanted.

I. T sits at an extreme end of the line. Only two people sit between T and the one who likes Frozen. N sits second to the left of the one who faces the one who likes Frozen.



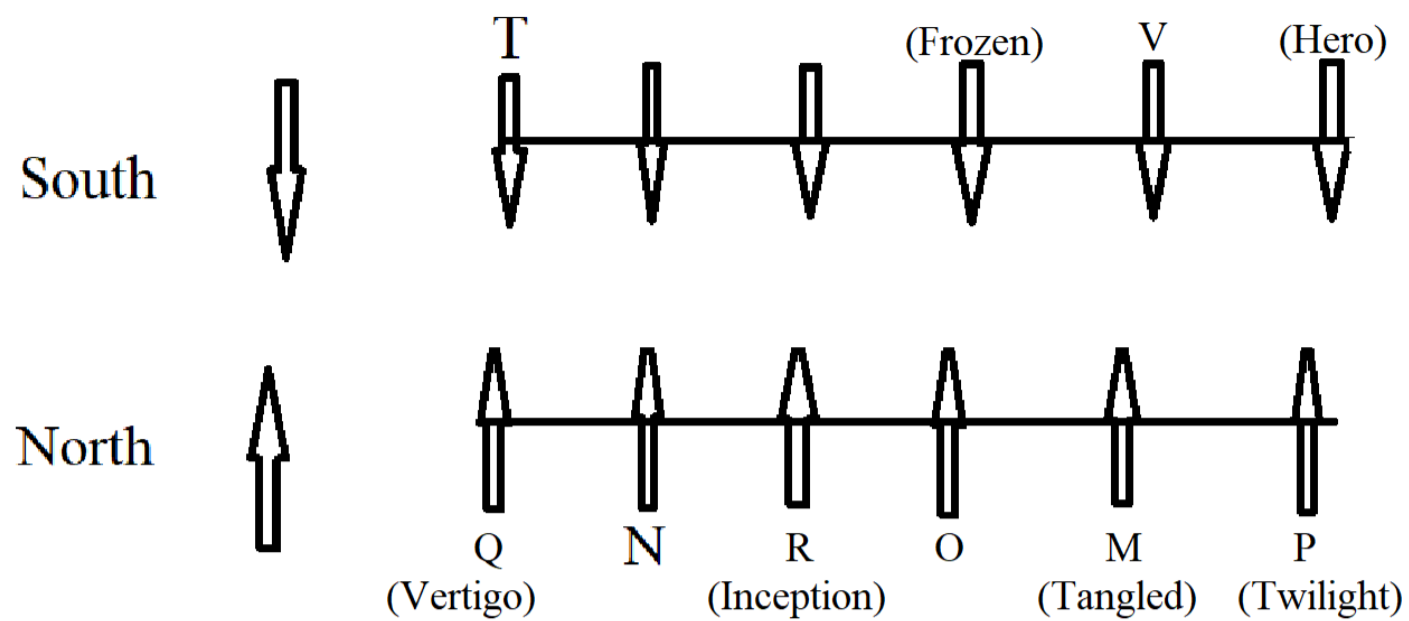
II. Only two persons sit between P and R. Only one person sits between R and M.

III. One of the immediate neighbours of M faces the one who likes Hero. The one who likes Twilight sits second to the right of O.

IV. T does not face the one who likes Twilight. V faces the one who likes Tangled.

V. Only three people sit between the ones who like Tangled and Vertigo.

VI. R likes Inception.



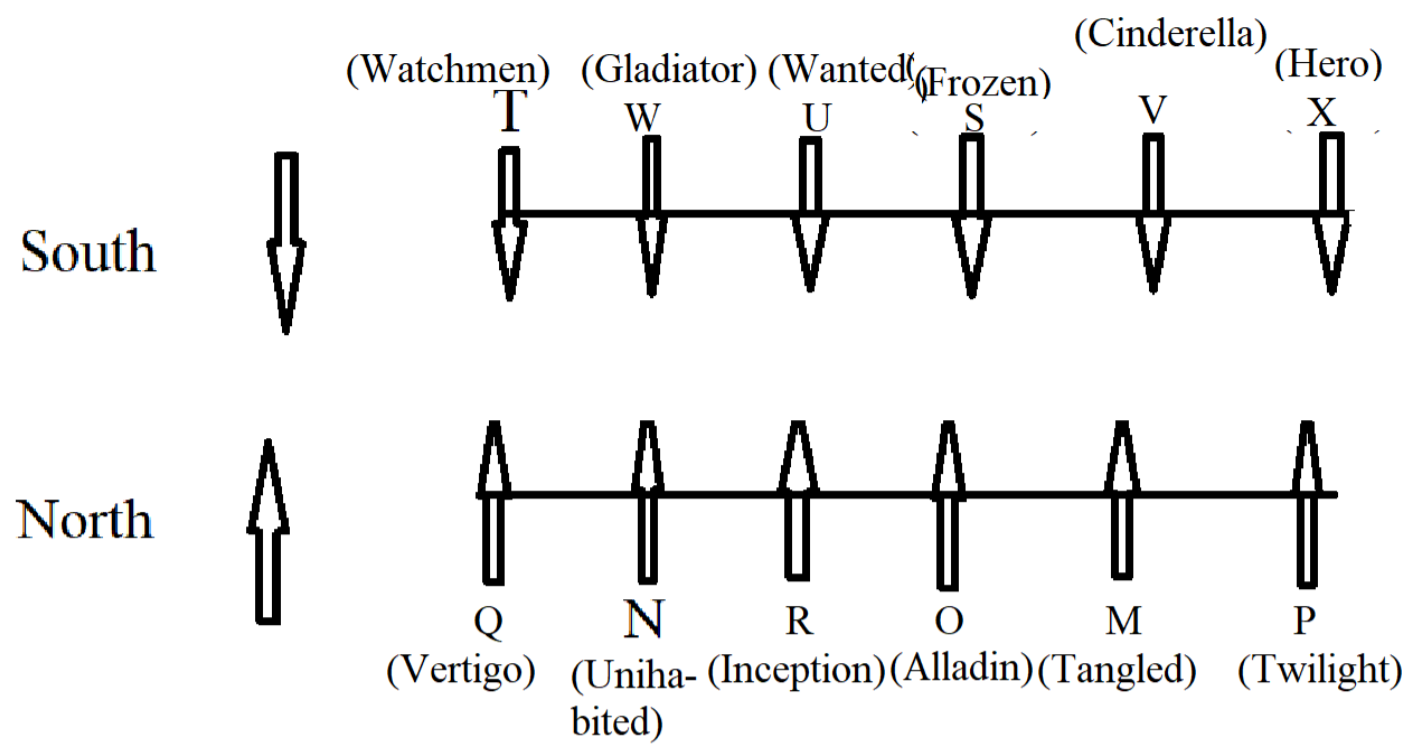
VII. U does not sit an extreme end of the line. X is not an immediate neighbor of T.

VIII. The one who likes Cinderella sits to the immediate left of S. P sits second to the right of the one who likes Aladdin.

IX. Only one person sits between the one who likes watchmen and wanted.

X. T does not like wanted.

XI. N does not like Gladiator. So, final arrangement :



Hence, N likes Unihabited.

E. Who amongst the following is facing Q ?

A V

B X

C S

D The one who likes Watchmen.

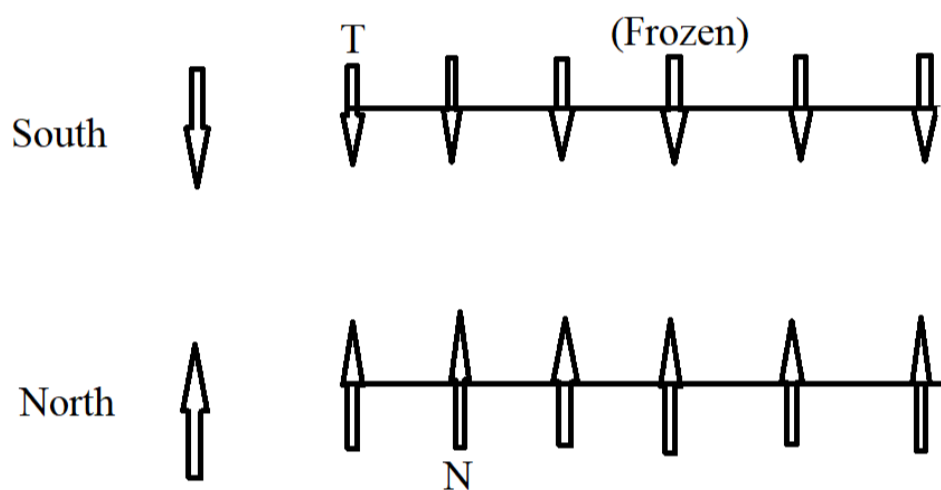
E The one who likes Frozen.

Solution

Person - S, T, U, V, W, X, M, N, O, P, Q and R.

Movie - Vertigo, Cinderella, Twilight, Gladiator, Uninhabited, Inception, Frozen, Watchmen, Tangled, Aladdin, Hero and Wanted.

I. T sits at an extreme end of the line. Only two people sit between T and the one who likes Frozen. N sits second to the left of the one who faces the one who likes Frozen.



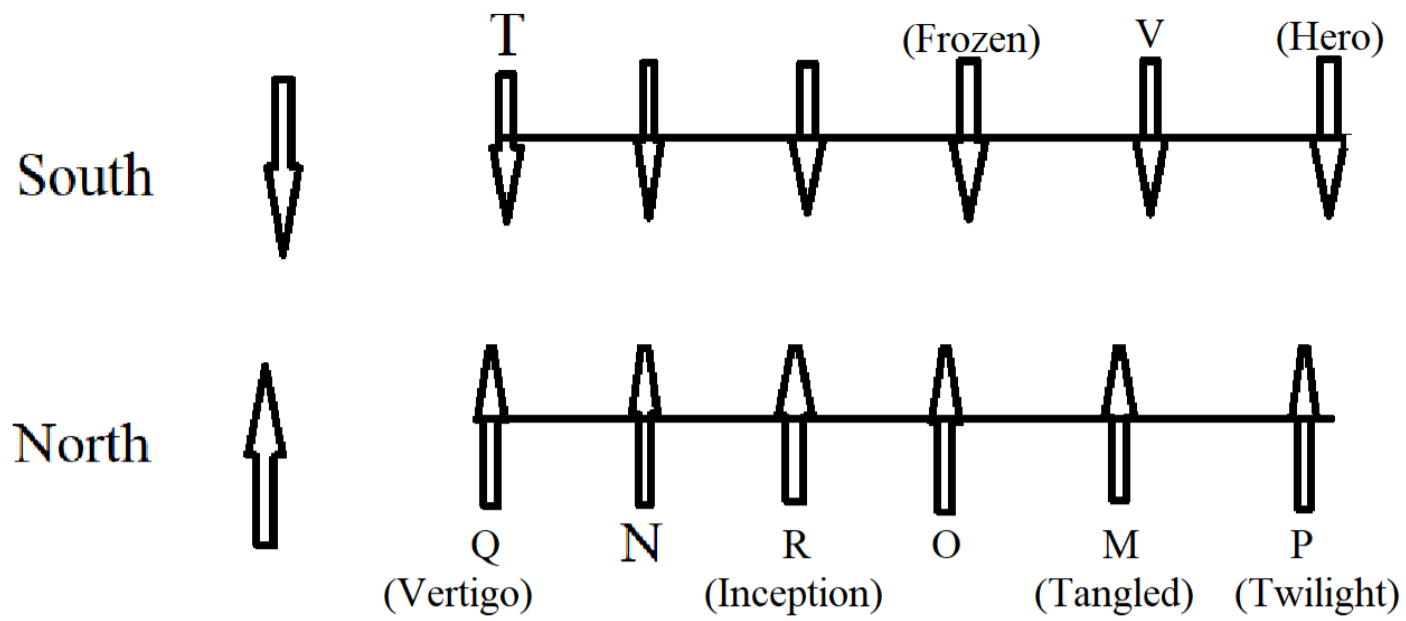
II. Only two persons sit between P and R. Only one person sits between R and M.

III. One of the immediate neighbours of M faces the one who likes Hero. The one who likes Twilight sits second to the right of O.

IV. T does not face the one who likes Twilight. V faces the one who likes Tangled.

V. Only three people sit between the ones who like Tangled and Vertigo.

VI. R likes Inception.



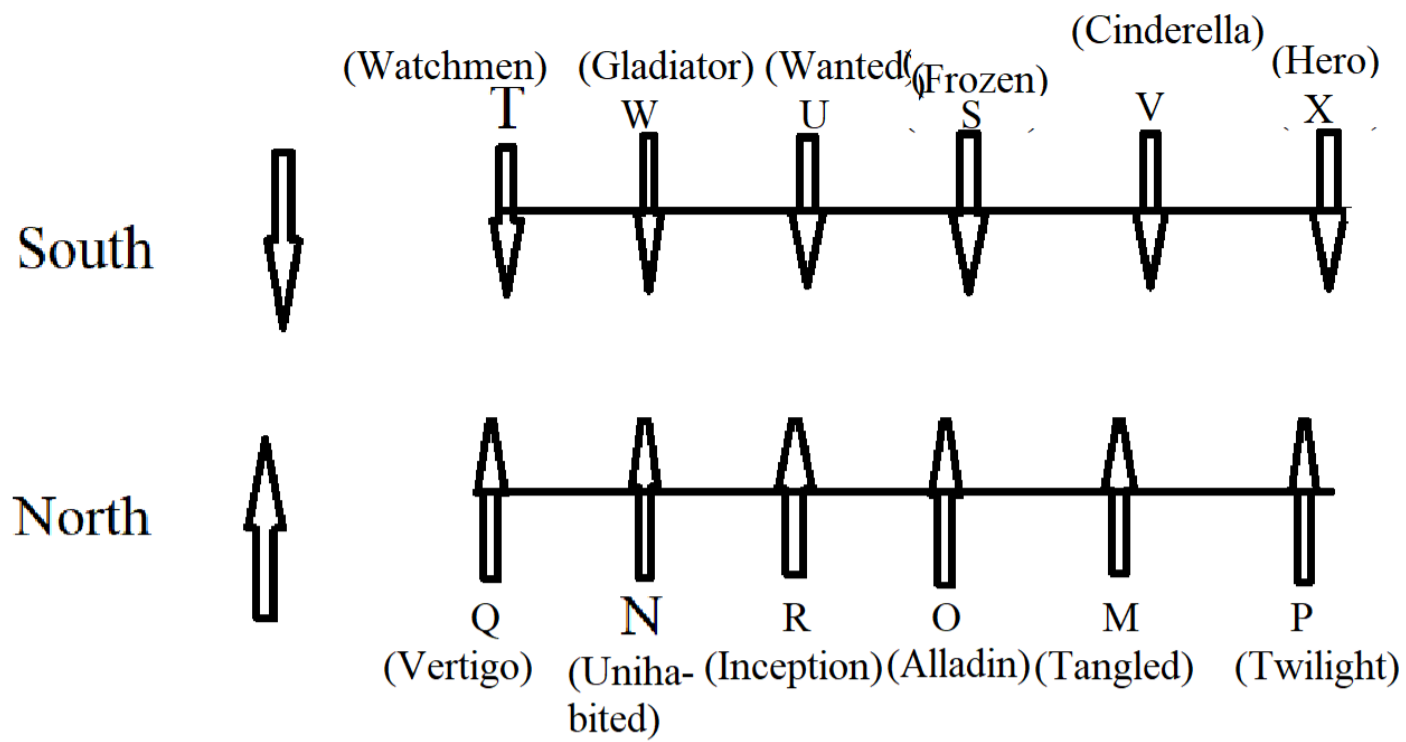
VII. U does not sit an extreme end of the line. X is not an immediate neighbor of T.

VIII. The one who likes Cinderella sits to the immediate left of S. P sits second to the right of the one who likes Aladdin.

IX. Only one person sits between the one who likes watchmen and wanted.

X. T does not like wanted.

XI. N does not like Gladiator. So, final arrangement :



Hence, the one who likes watchmen faces Q.

F. What is the position of Q with respect to the one who likes Inception?

A Second to the right

B Third to the right

C Third to the left

D Fourth to the left

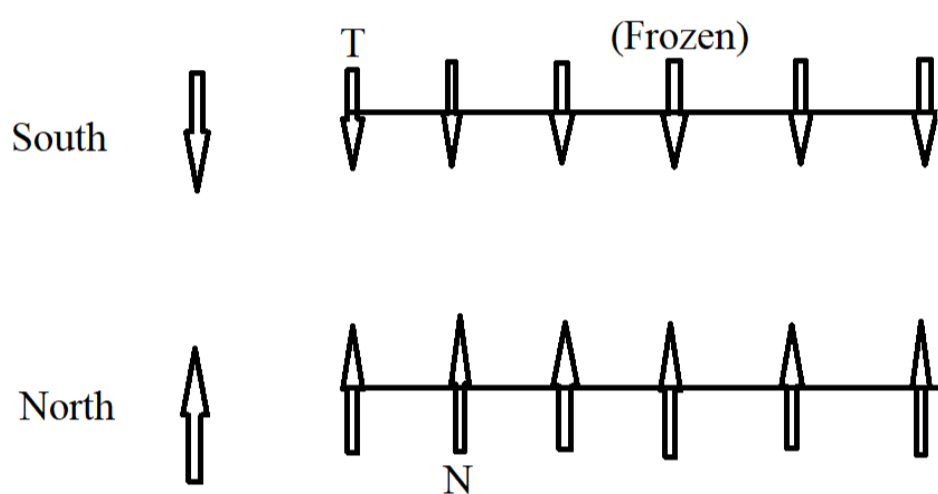
E Second to the left

Solution

Person - S, T, U, V, W, X, M, N, O, P, Q and R.

Movie - Vertigo, Cinderella, Twilight, Gladiator, Uninhabited, Inception, Frozen, Watchmen, Tangled, Aladdin, Hero and Wanted.

I. T sits at an extreme end of the line. Only two people sit between T and the one who likes Frozen. N sits second to the left of the one who faces the one who likes Frozen.



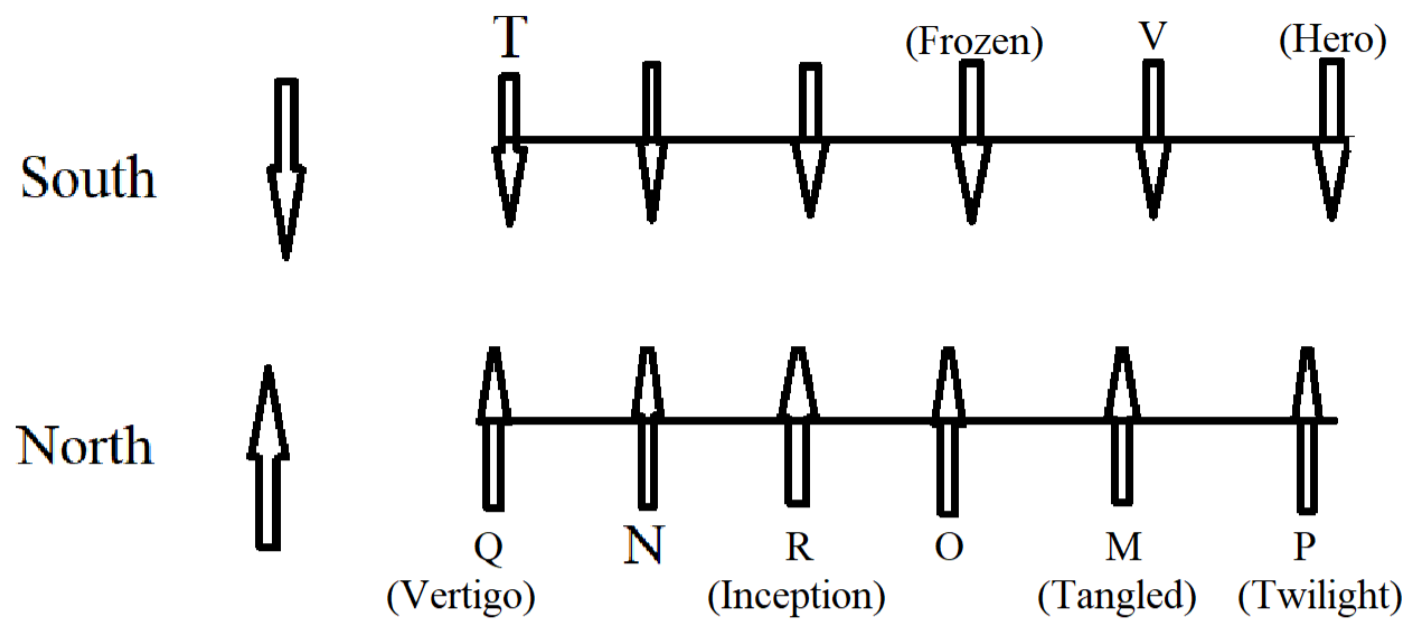
II. Only two persons sit between P and R. Only one person sits between R and M.

III. One of the immediate neighbours of M faces the one who likes Hero. The one who likes Twilight sits second to the right of O.

IV. T does not face the one who likes Twilight. V faces the one who likes Tangled.

V. Only three people sit between the ones who like Tangled and Vertigo.

VI. R likes Inception.



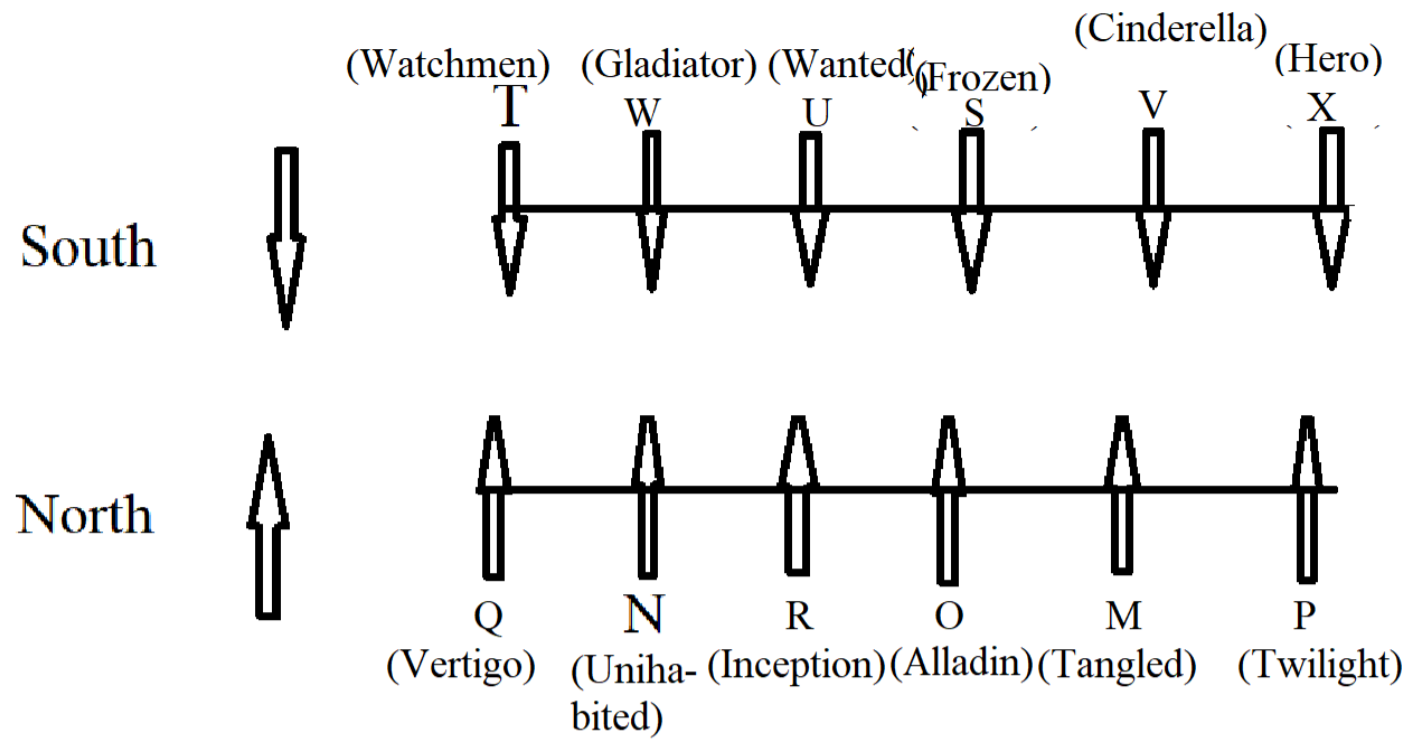
VII. U does not sit an extreme end of the line. X is not an immediate neighbor of T.

VIII. The one who likes Cinderella sits to the immediate left of S. P sits second to the right of the one who likes Aladdin.

IX. Only one person sits between the one who likes watchmen and wanted.

X. T does not like wanted.

XI. N does not like Gladiator. So, final arrangement :



Hence, Q is second to the left of the one who likes Inception.

